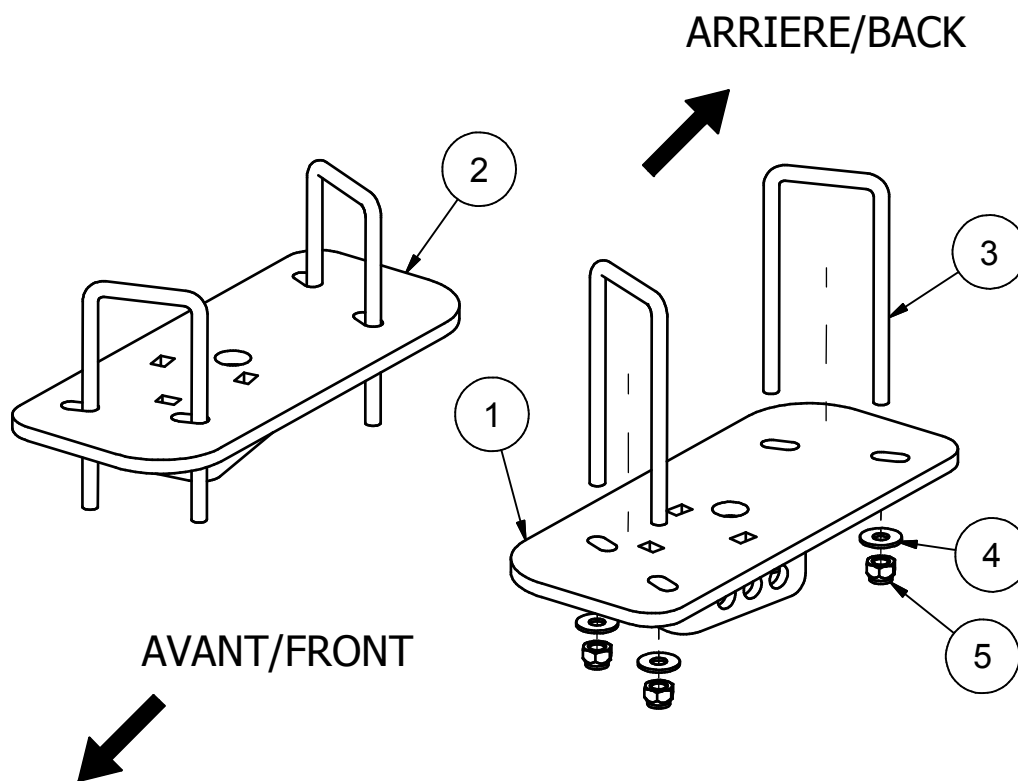


00PA-400 : PLAQUE ADAPTEUR / ADAPTER PLATE



| ITEM | QTY | PART NUMBER | RÉV. |
|------|-----|----------------|------|
| 1 | 1 | 03PA-400G | |
| 2 | 1 | 03PA-400D | |
| 3 | 4 | SBUB3I8-16X2X5 | |
| 4 | 8 | FW5I16USS | |
| 5 | 8 | HLN3/8-16ZBG2 | |

2014-10-28



Les Fabrication TJD inc.

147, chemin des Raymond Rivière-du-Loup (Québec), G5R 5X9
www.tjd.ca