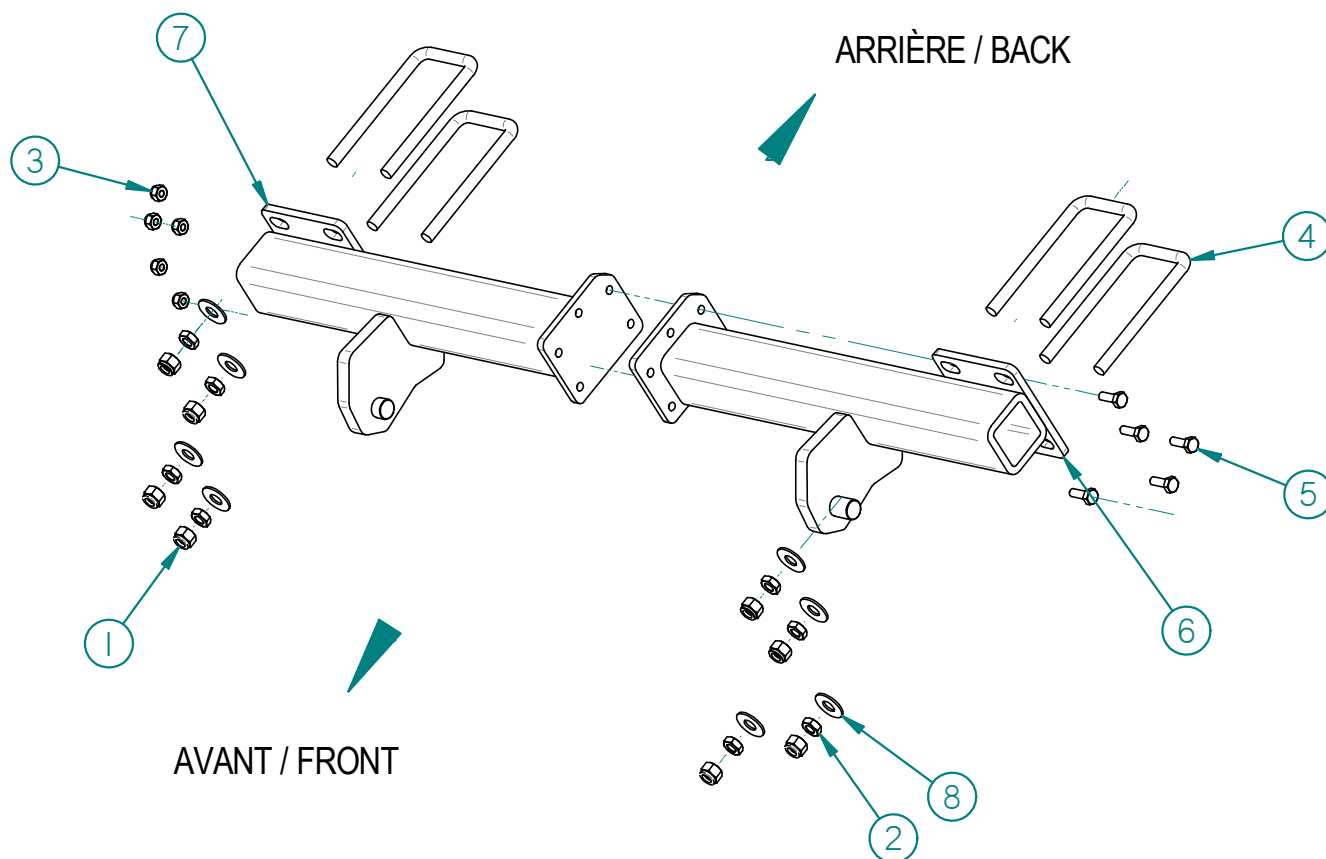


# 00PG-018: PLAQUE ADAPTEUR / ADAPTER PLATE



## Liste des pièces / Part List

| RÉF | # PIECE/PART     | QTÉ/QTY |
|-----|------------------|---------|
| 1   | HLN318-16ZBG2    | 8       |
| 2   | HN318-16ZBG2     | 8       |
| 3   | HLN114-20ZBG2    | 5       |
| 4   | SBUB318-16x2x5   | 4       |
| 5   | HB114-20x314ZBG2 | 5       |
| 6   | 03PG-018G        | 1       |
| 7   | 03PG-018D        | 1       |
| 8   | FW318USS         | 8       |

19/01/2010



**LES FABRICATIONS TJD INC.**

147, chemin des Raymond, Rivière-du-Loup (Québec) G5R 5X9  
www.tjd.ca