



FAIRING INSTALLATION BRACKET 12

1. Install the fairing according to the drawing below.
2. Install the clear windshield with item 11.
3. Install item 1 and 2 with items 8, 9 and 10 on the fairing **without tightening**.
4. **Without tightening**, install item 3 on the handles of the ATV. Use items 4, 5, 6, 7.

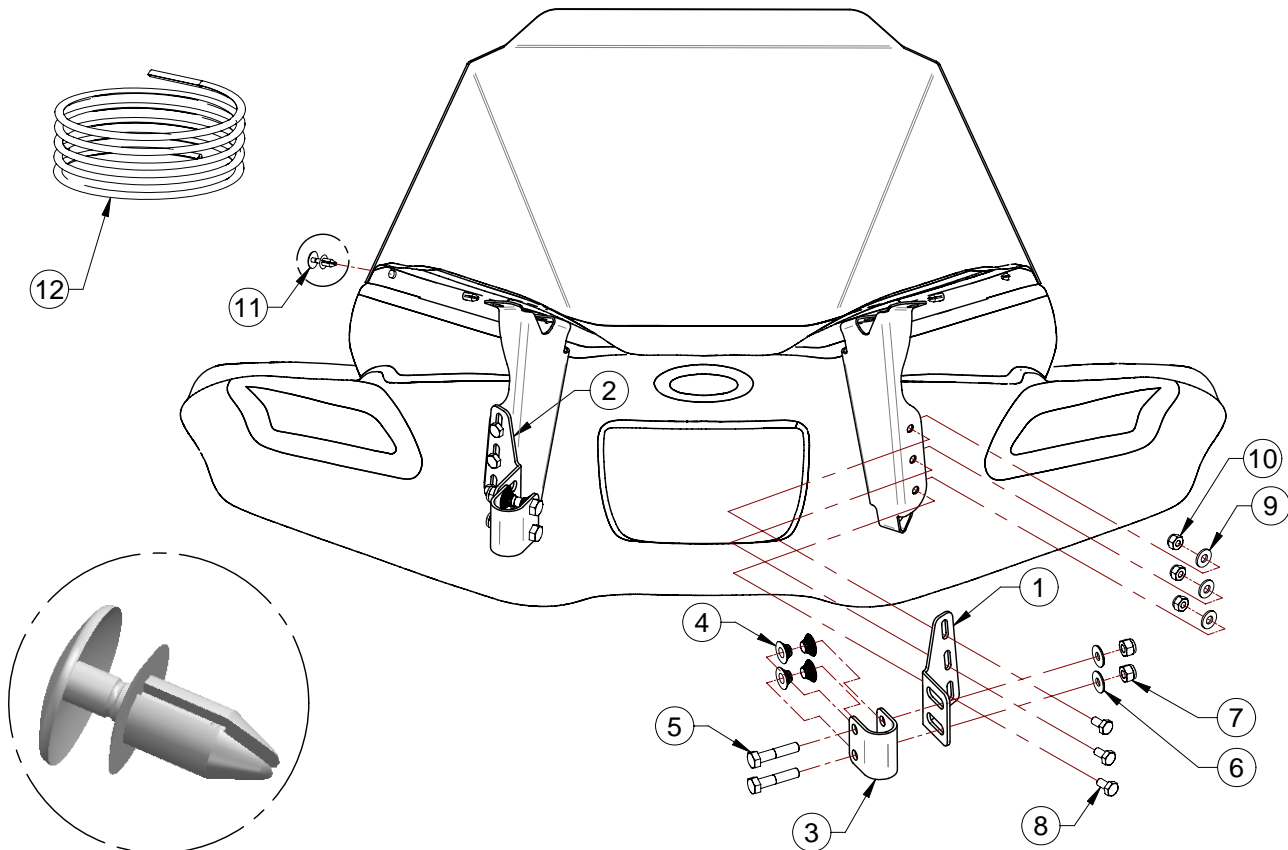
Note: In some case, you could need to loosen the brake handles to facilitate the installation.

5. Adjust the position for all the items.

Note: In some case, you may have to adjust the handlebar at the good angle to install the fairing correctly.

6. Make sure to tight the bolts sufficiently to prevent parts from vibrating loose.
7. Verify the clearance of the fairing by turning it. Make sure to clear the shifter and other accessories installed close to the handlebar of the vehicle.

IMPORTANT: Ensure you to keep enough space to operate the brake lever easily.



Détail 11

Parts list

| Réf. | Description | # de pièce (OEM) | Qté. |
|------|---|---------------------|--------|
| 1 | Angles fairing droit | 04WA-012D | 1 |
| 2 | Angles fairing gauche | 04WA-012G | 1 |
| 3 | Support de poignée | 04WB-001 | 2 |
| 4 | Douille de support de fairing | 04BB-001 | 8 |
| 5 | Boulon à tête hex. 5/16"-18 NC x 1-1/2" | HB-5/16-18NCx1-1/2 | 4 |
| 6 | Rondelle d'appui 1/4" USS zinc blanc | FW-1/4-USS | 4 |
| 7 | Écrou de nylon 5/16"-18NC | HLN-5/16-18NC | 4 |
| 8 | Boulon à tête hexagonal 1/4"-20 NC x 1/2" | HB-1/4-20NCx1/2 | 6 |
| 9 | Rondelle d'appui 1/4" SAE zinc blanc | FW-1/4-SAE | 6 |
| 10 | Écrou de nylon 1/4"-20NC | HLN-1/4-20NC | 6 |
| 11 | Bouton poussoir de retenue pour fenêtre fairing | Bouton 17.5MM | 8 |
| 12 | Trim 8MM Fairing coupé 2600 mm (disponible sur demande) | TRIM8MM-COUCPE 2600 | option |

WARNING: Windshields are for off-road use only.

When travelling at speeds exceeding 60Km/h, Please remove windshield.